

TN 47

Tioxid inverted dome tweeter



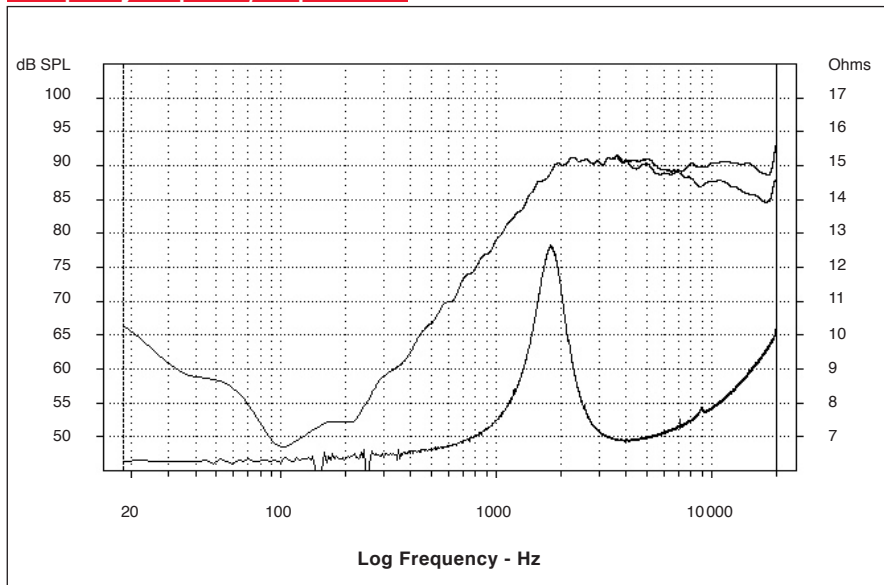
- Phase plug
- Push pull 20mm Neodyme magnet
- 20mm diameter voice coil with aluminum former
- Optional accessories for easy mounting



Specifications

Nominal power	15 W	
Maximum power	100 W	
Sensitivity	91 dB	
Cone	Titane	
Surround	-	
Nom. impedance	8 ohms	
DC resistance	6.1 ohms	
VC diameter	20,5 mm	4/5 in
VC height	2 mm	
Former	Aluminum	
Layers	2	
Wire	Copper	
Inductance	0.09 mH	
Xmax	-	
Magnet d x h	20 x 2 mm	+ 20 x 3 mm
Magnet weight	-	
Flux density	1.6 T	
Gap height	2 mm	
Net weight	0.085 kg	

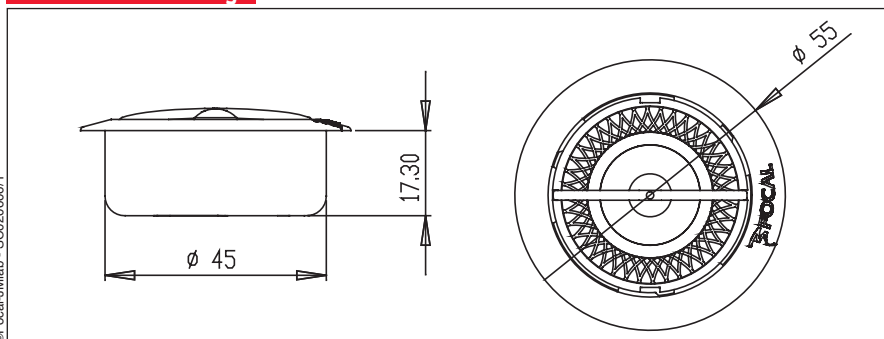
Frequency Response / Impedance



Parameters

Fs	1819.87 Hz
Vas	-
Qts	-
Qes	-
Qms	-
Re	6.10 ohms
Sd	-
Cas	-
Mas	-
Ras	-
Cms	-
Mms	-
Rms	-
Ces	-
Les	-
Res	12.5 ohms
Bl	-
SPL	-

Mechanical Drawing



Suggested application

Load	V (l)	Fb (Hz)	F-3 (Hz)	Ql
Vented	-	-	-	-
Sealed	-	-	-	-

Focal® is a trademark of Focal-JMLab®