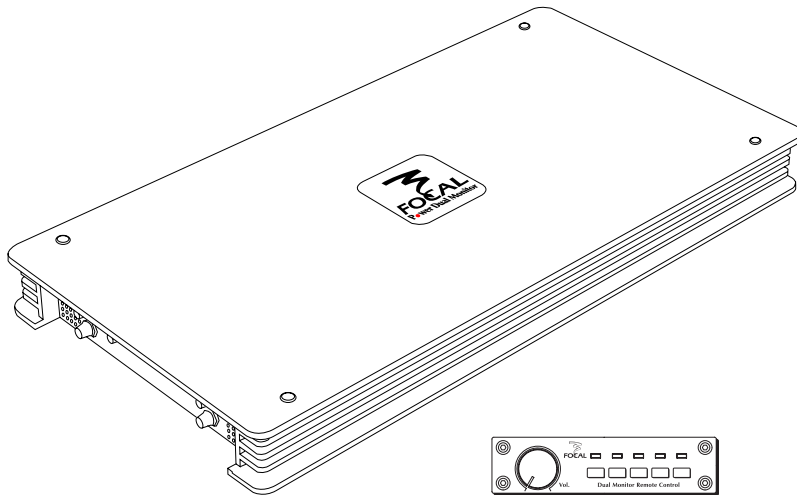


# FP DUAL MONITOR

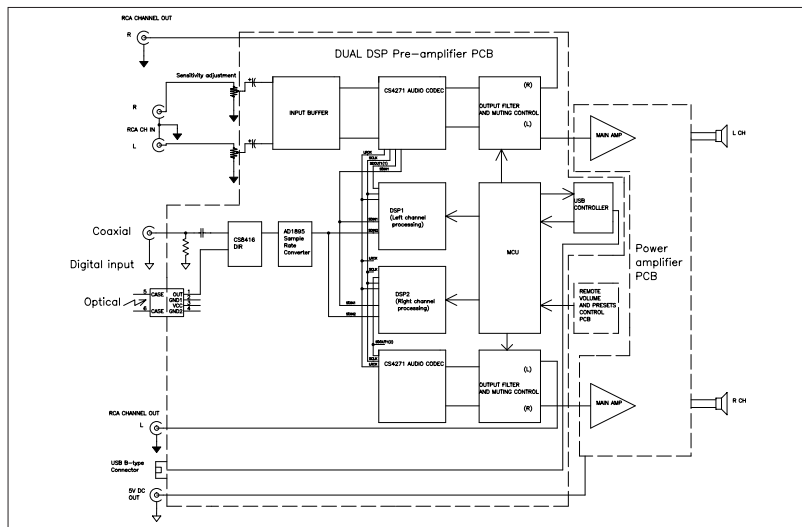
High fidelity dual mono power amplifier

- Dual power supply fully regulated
- 2 internal DSP 24-bit/96kHz
- Toshiba® 5000 serie output stage
- Software provided

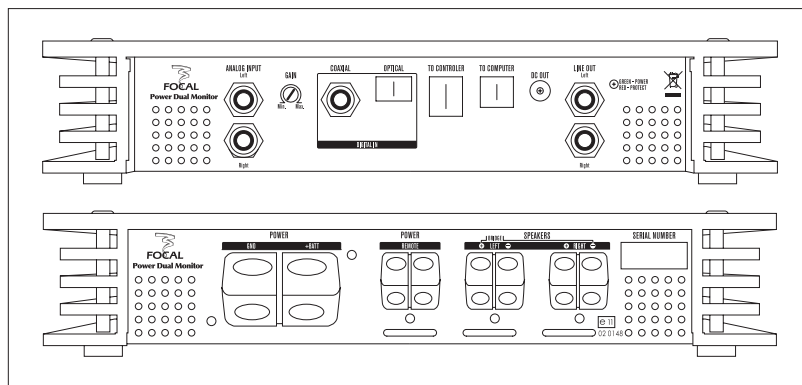


External remote control: level + 5 presets

## Synoptic diagram



## Mechanical Drawing



## Preliminary specifications

### Specifications

Nominal power measured at 13.8V continuously @ 4Ω	2x300W RMS
Nominal power measured at 13.8V continuously @ 2Ω	2x400W RMS
Power in bridged mode measured at 13.8V continuously @ 4Ω	1x800W RMS
Power in bridged mode measured at 13.8V continuously @ 2Ω	1x1200W RMS
Power supplies	Dual fully regulated
Signal/noise ratio	> 110dB (A)
Damping factor at 4Ω	> 600
Frequency response (-1dB)	10Hz-45Hz
Input impedance	13kΩ
Input sensitivity	0.2-5V
Digital inputs	Coaxial/optical
Output stages	Triple Darlington
Operational amplifiers	Burr-Brown
DSP	2 internal DSP 180 mips each
Converters	24-bit/96kHz Crystal®
Software	Provided
Remote control	Provided (gain + 5 presets)
Digital graphic EQ (each input channel)	30 bands of 1/3 octave
Digital delay line (each input and output channels)	2 inputs and 2 outputs, 2048 samples max.
Digital control	From external PC via USB port
High-pass crossover	Slopes and frequen- cies fully adjustable
Low-pass crossover	Slopes and frequen- cies fully adjustable
Digital parametric EQ	1 band fully adjustable
Maximum cross section of loudspeaker cables	10mm <sup>2</sup> 7 AWG
Maximum cross section of power cables	51mm <sup>2</sup> 0AWG
Protections	DC offset Short-circuit Continuous power Thermal overload Soft clipping Over voltage Polarity error
Dimensions (HxWxD)	50x540x280mm (2x21.25x11")
Weight	7.5kg (16.53 lb)

