

165 CV1

6-1/2" Polyglass woofer



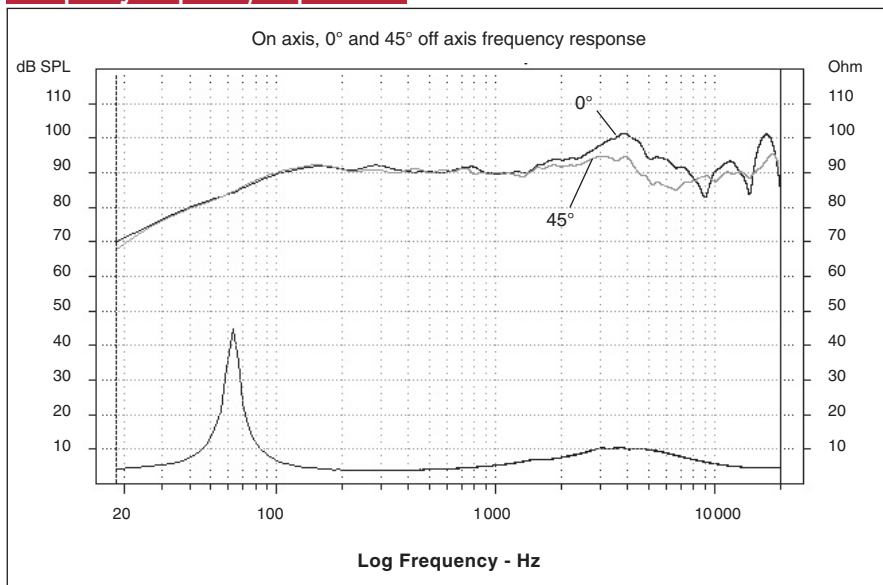
- Polyglass cone
- Aluminum inverted dome tweeter
- 80% ABS / 20% fiberglass basket



Specifications

Nominal power	70 W	
Maximum power	140 W	
Sensitivity (2.83V/m)	93 dB	
Cone	Polyglass	
Surround	Butyl	
Nom. impedance	4 ohm	
DC resistance	3.66 ohm	
VC diameter	25 mm	1 in
VC height	10 mm	0.4 in
Former	Kapton®	
Layers	2	
Wire	Copper	
Inductance	-	
Xmax	2.5 mm	0.1 in
Magnet (hxd)	85 x 10 mm	3.35 x 0.40 in
Magnet weight	265 g	0.58 lb
Flux density	1 T	
Gap height	5 mm	0.20 in
Net weight	800 g	1.76 lb

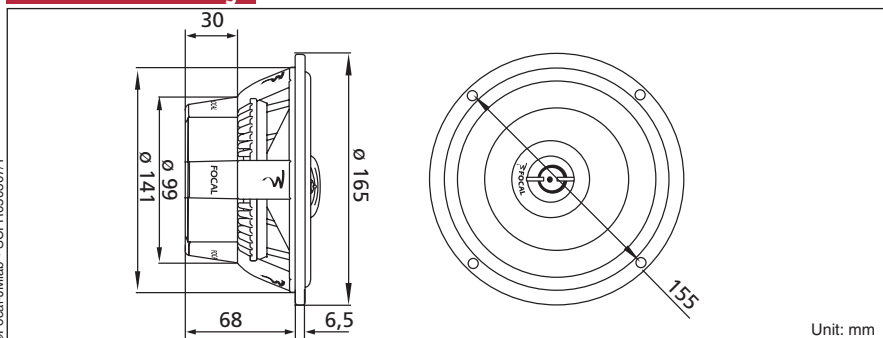
Frequency Response / Impedance



Parameters

Fs	60.44 Hz	
Vas	15.33 l	0.54 Ft ³
Qts	0,576	
Qes	0.6	
Qms	10.19	
Re	3.66 ohms	
Sd	132.73 cm ²	20.58 in ²
Cas	1.09E-07 m ⁵ /N	
Mas	63.52 kg/m ⁴	
Ras	2367.05 ohms.ac	
Cms	6.2E-04 m/N	
Mms	11.19 g	0.025 lb
Rms	417 g/s	
Ces	431.68 mF	
Les	16.06 mH	
Res	62.16 ohms	
BI	5.09 N/A	
SPL	89.36 dB/W/m	

Mechanical Drawing



©Focal-JMlab - SCFR050071

Focal® is a trademark of Focal-JMlab®