

# 160 V2

## 6" Polyglass woofer



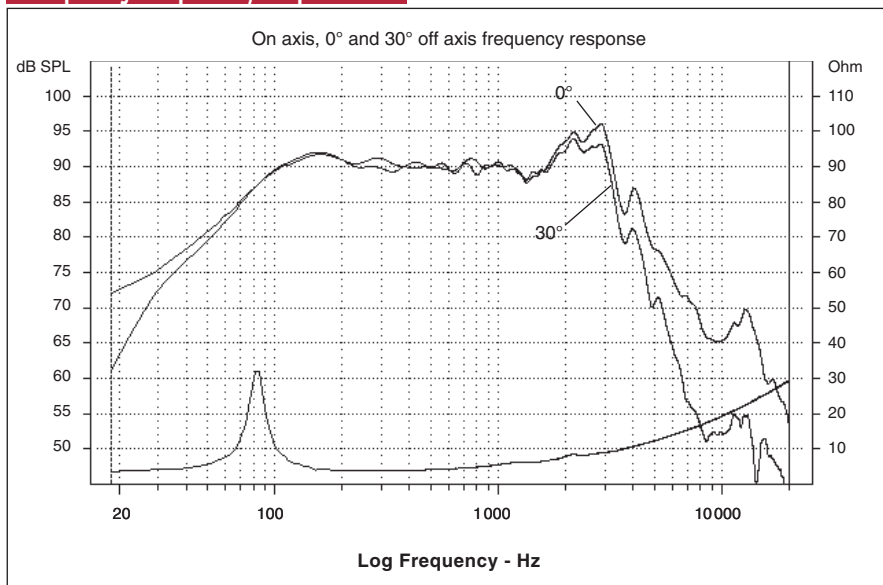
- Polyglass cone
- Zamak basket
- Butyl surround



### Specifications

Nominal power	50 W	
Maximum power	100 W	
Sensitivity (2.83V/m)	91 dB	
Cone	Polyglass	
Surround	Butyl	
Nom. impedance	4 ohm	
DC resistance	3.3 ohm	
VC diameter	25 mm	1 in
VC height	8.5 mm	1/3 in
Former	Kapton®	
Layers	1	
Wire	Copper	
Inductance	0.25 mH	
Xmax	2 mm	1/16 in
Magnet (dxh)	72 x 15 mm	2.81 x 0.59 in
Magnet weight	250 g	0.55 lb
Flux density	1 T	
Gap height	5 mm	0.20 in
Net weight	750 g	1.65 lb

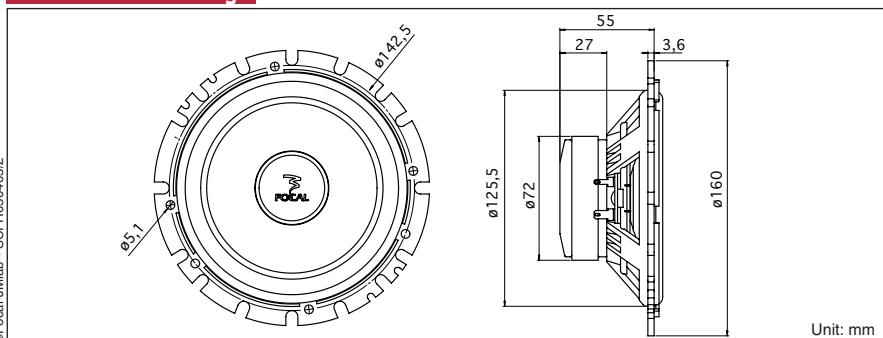
### Frequency Response / Impedance



### Parameters

Fs	81.85 Hz	
Vas	5.92 l	1.68 Ft³
Qts	0.768	
Qes	0.840	
Qms	8.97	
Re	3.3 ohm	
Sd	103.87 cm²	16.1 in²
Cas	4.21E-08 m⁵/N	
Mas	89.72 kg/m⁴	
Ras	5144.11 ohm.ac	
Cms	3.91E-04 m/N	
Mms	9.68 g	0.021 lb
Rms	0.555 g/s	
Ces	490.5 mF	
Les	7.71 mH	
Res	35.56 ohm	
Bl	4.44 N/A	
SPL	87.71 dB/W/m	

### Mechanical Drawing



### Suggested application

Sealed	F-3 (Hz)	QI
30 l	77	7

Focal® is a trademark of Focal-JMLab®