

130 V Slim

5" Polyglass 2-way



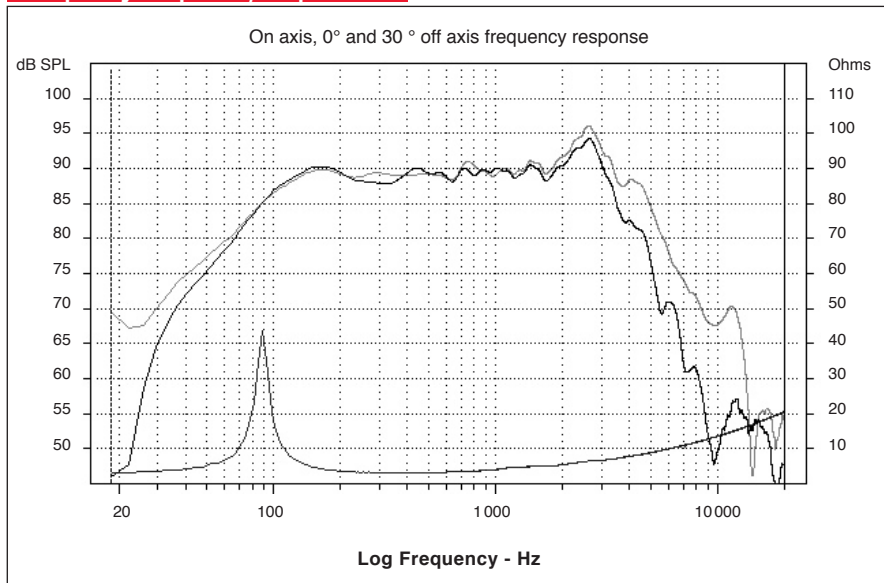
- Zamak chassis
- Polyglass cone, Butyl surround
- Neodymium magnet



Specifications

Nominal power	50 W
Maximum power	100 W
Sensitivity	91 dB
Cone	Polyglass
Surround	Butyl
Nom. impedance	4 ohms
DC resistance	2.9 ohms
VC diameter	32 mm
VC height	10 mm
Former	Kapton
Layers	2
Wire	Copper
Inductance	0.3 mH
Xmax	3 mm
Magnet d x h	-
Magnet weight	-
Flux density	1 T
Gap height	4 mm
Net weight	550 g 1.21 lb

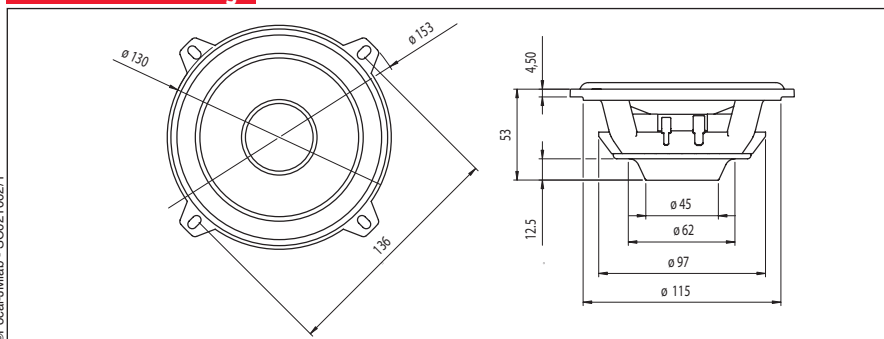
Frequency Response / Impedance



Parameters

Fs	86.45 Hz
Vas	9.55 l 0.337 Ft ³
Qts	0.599
Qes	0.640
Qms	9.230
Re	2.9 ohms
Sd	93.31 cm ² 14.46 in ²
Cas	6.80E-08 m ⁵ /N
Mas	49.84 kg/m ⁴
Ras	2933.24 ohms.ac
Cms	7.81E-04 m/N
Mms	4.34 g 0.0095 lb
Rms	0.255 Kg/s
Ces	406.29 mF
Les	8.34 mH
Res	41.82 ohms
Bl	3.27 N/A
SPL	91.68 dB/W/m

Mechanical Drawing



Suggested application

Load	V (l)	Fb (Hz)	F-3 (Hz)	Ql
Vented	-	-	-	-
Sealed	-	-	-	-

Focal® is a trademark of Focal-JMlab®