

130 CV1

5" Polyglass woofer



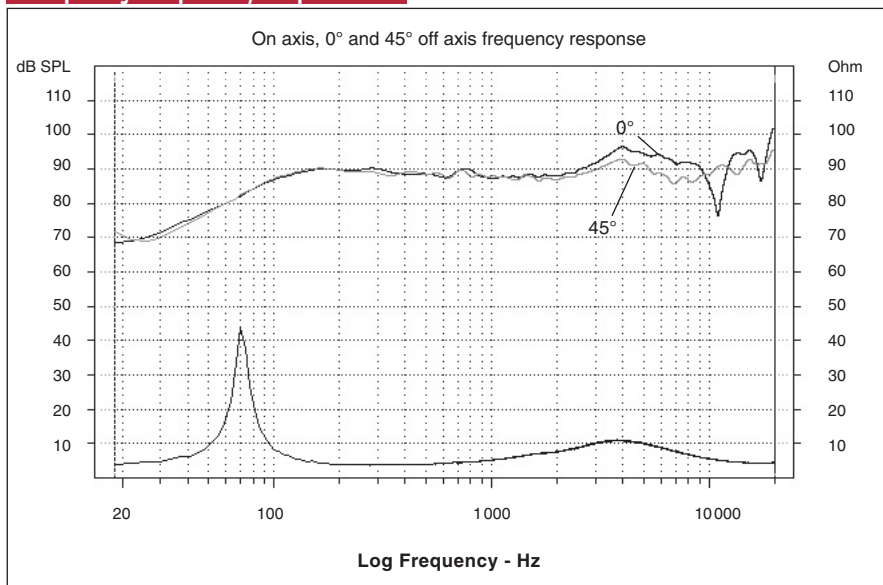
- Polyglass cone
- Aluminum inverted dome tweeter
- 80% ABS / 20% fiberglass basket



Specifications

Nominal power	60 W	
Maximum power	120 W	
Sensitivity (2.83V/m)	91 dB	
Cone	Polyglass	
Surround	Butyl	
Nom. impedance	4 ohm	
DC resistance	3.39 ohm	
VC diameter	25 mm	1 in
VC height	10 mm	0.4 in
Former	Kapton®	
Layers	2	
Wire	Copper	
Inductance	-	
Xmax	3 mm	0.1 in
Magnet (hxd)	72 x 15 mm	2.85 x 0.59 in
Magnet weight	240 g	0.53 lb
Flux density	0.9 T	
Gap height	4 mm	0.15 in
Net weight	680 g	1.5 lb

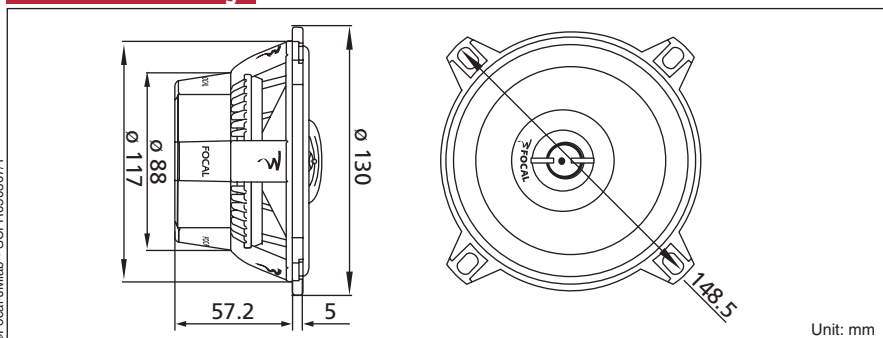
Frequency Response / Impedance



Parameters

Fs	74.30 Hz	
Vas	6.39 l	0.23 Ft ³
Qts	0,602	
Qes	0.64	
Qms	10.17	
Re	3.39 ohms	
Sd	86.59 cm ²	13.42 in ²
Cas	4.55E-08 m ⁵ /N	
Mas	100.83 kg/m ⁴	
Ras	4628.42 ohms.ac	
Cms	6.07E-04 m/N	
Mms	7.56 g	0.017 lb
Rms	347 g/s	
Ces	404.40 mF	
Les	11.35 mH	
Res	53.87 ohms	
BI	4.32 N/A	
SPL	87.96 dB/W/m	

Mechanical Drawing



Focal® is a trademark of Focal-JMLab®