

# 100 V Slim

## 4" Polyglass 2-way



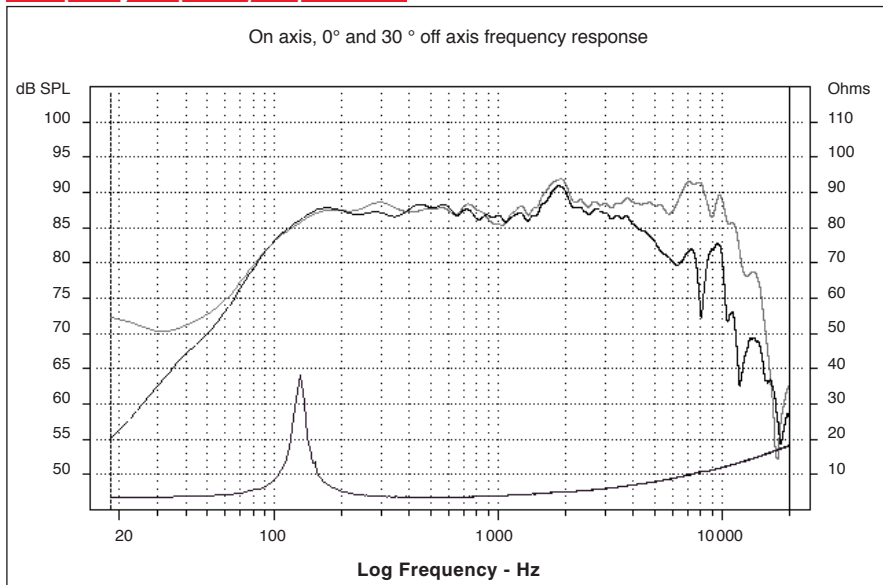
- Zamak chassis
- Polyglass cone, Butyl surround
- Neodymium magnet



### Specifications

Nominal power	50 W
Maximum power	100 W
Sensitivity	91 dB
Cone	Polyglass
Surround	Butyl
Nom. impedance	4 ohms
DC resistance	3.2 ohms
VC diameter	25 mm
VC height	8 mm
Former	Kapton
Layers	2
Wire	Copper
Inductance	0.2 mH
Xmax	2 mm
Magnet d x h	-
Magnet weight	-
Flux density	1.1 T
Gap height	3 mm
Net weight	350 g      0.77 lb

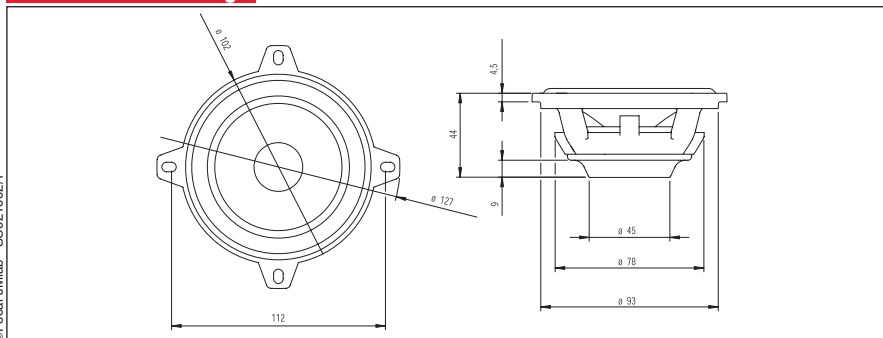
### Frequency Response / Impedance



### Parameters

Fs	117.66 Hz
Vas	1.43 l      0.05 Ft <sup>3</sup>
Qts	0.811
Qes	0.880
Qms	10.410
Re	3.55 ohms
Sd	52.81 cm <sup>2</sup> 8.18 in <sup>2</sup>
Cas	1.02E-08 m <sup>5</sup> /N
Mas	179.28 kg/m <sup>4</sup>
Ras	12731.89 ohms.ac
Cms	3.66E-04 m/N
Mms	5.00 g      0.01 lb
Rms	0.355 Kg/s
Ces	335.31 mF
Les	5.46 mH
Res	41.99 ohms
BI	3.86 N/A
SPL	86.08 dB/W/m

### Mechanical Drawing



### Suggested application

Load	V (l)	Fb (Hz)	F-3 (Hz)	Ql
Vented				
Sealed				

Focal® is a trademark of Focal-JMLab®