

# 100 CV1

4" Polyglass woofer



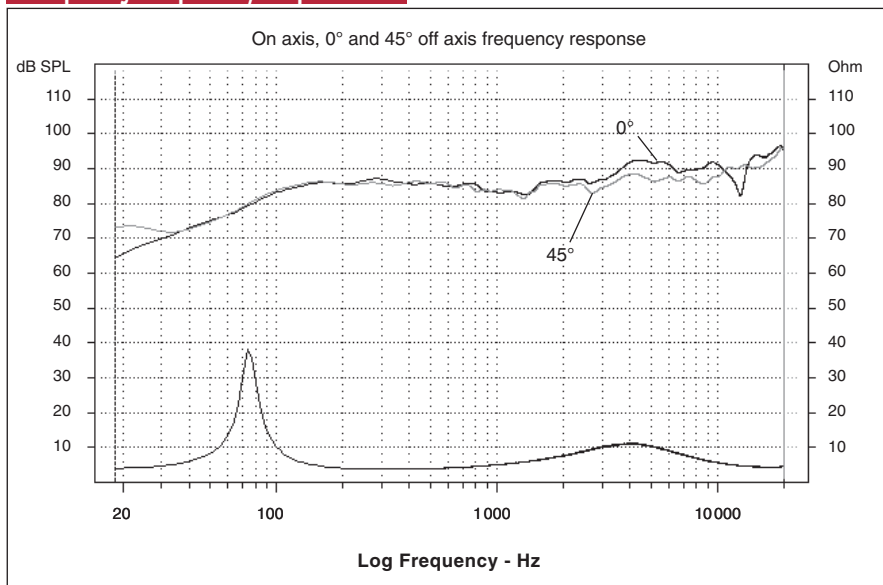
- Polyglass cone
- Aluminum inverted dome tweeter
- 80% ABS / 20% fiberglass basket



## Specifications

Nominal power	50 W	
Maximum power	100 W	
Sensitivity (2.83V/m)	90 dB	
Cone	Polyglass	
Surround	Butyl	
Nom. impedance	4 ohm	
DC resistance	3.37 ohm	
VC diameter	25 mm	1 in
VC height	10 mm	0.4 in
Former	Kapton®	
Layers	2	
Wire	Copper	
Inductance	-	
Xmax	3 mm	0.1 in
Magnet (hxd)	72 x 15 mm	2.85 x 0.59 in
Magnet weight	240 g	0.53 lb
Flux density	0.9 T	
Gap height	4 mm	0.15 in
Net weight	650 g	1.43 lb

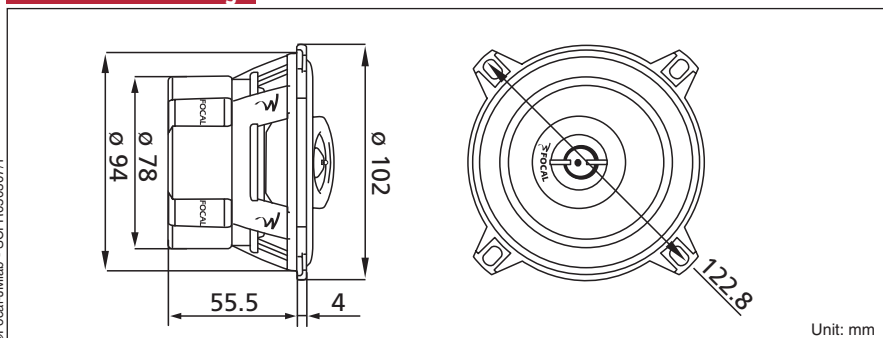
## Frequency Response / Impedance



## Parameters

Fs	77.65 Hz	
Vas	2.36 l	0.08 Ft <sup>3</sup>
Qts	0.572	
Qes	0.62	
Qms	7.39	
Re	3.37 ohm	
Sd	49.02 cm <sup>2</sup>	7.6 in <sup>2</sup>
Cas	1.68E-08 m <sup>5</sup> /N	
Mas	249.73 kg/m <sup>4</sup>	
Ras	16486.94 ohm.ac	
Cms	7.00E-04 m/N	
Mms	6 g	0.013 lb
Rms	396 g/s	
Ces	377.09 mF	
Les	11.14 mH	
Res	40.17 ohm	
BI	3.99 N/A	
SPL	84.36 dB/W/m	

## Mechanical Drawing



Focal® is a trademark of Focal-JMLab®